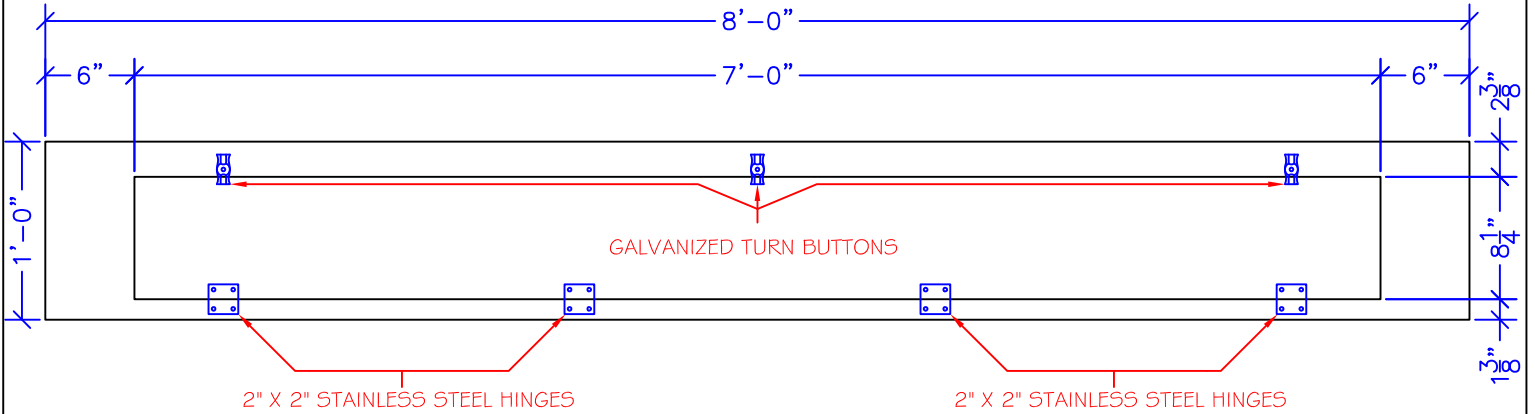
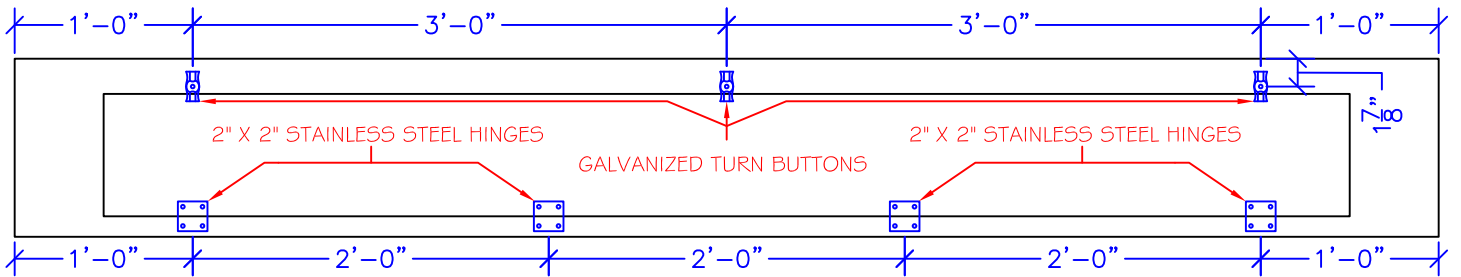


DOOR OPENING DIMENSIONS



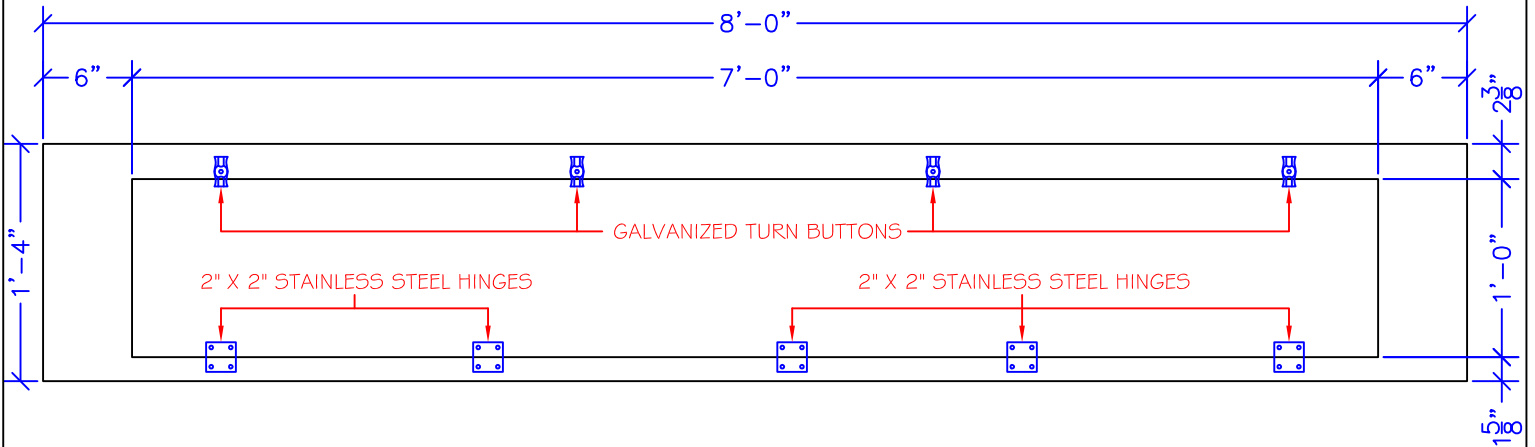
HARDWARE LOCATIONS



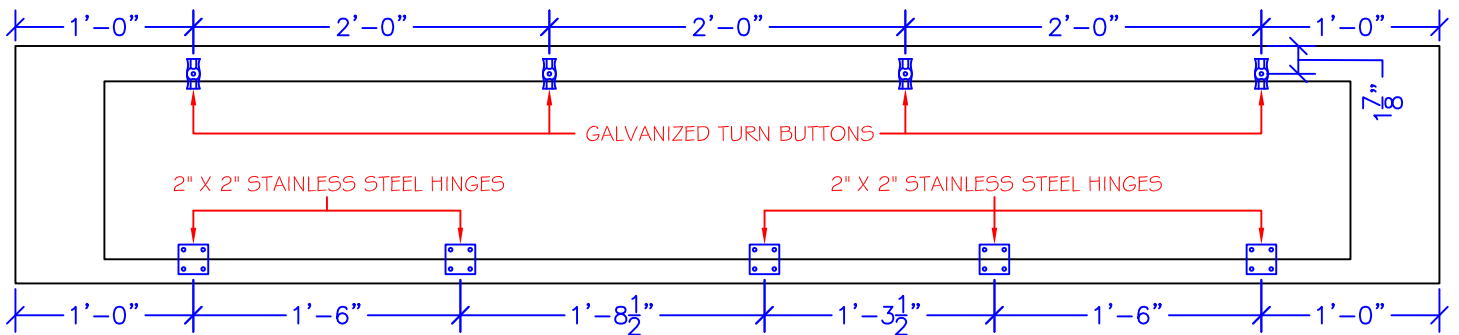
NOTE:

- 1) DOOR IS 3/4" THICK WITH WHITE ALUMINUM ON BOTH SIDES
- 2) PLASTIC BIRD NETTING IS STAPLED TO THE TOP SIDE
- 3) 4.5 SQFT. OF AIR PER EAVE DOOR

DOOR OPENING DIMENSIONS



HARDWARE LOCATIONS



NOTE:

- 1) DOOR IS 3/4" THICK WITH WHITE ALUMINUM ON BOTH SIDES
- 2) PLASTIC BIRD NETTING IS STAPLED TO THE TOP SIDE
- 3) 6.75 SQFT. OF AIR PER EAVE DOOR