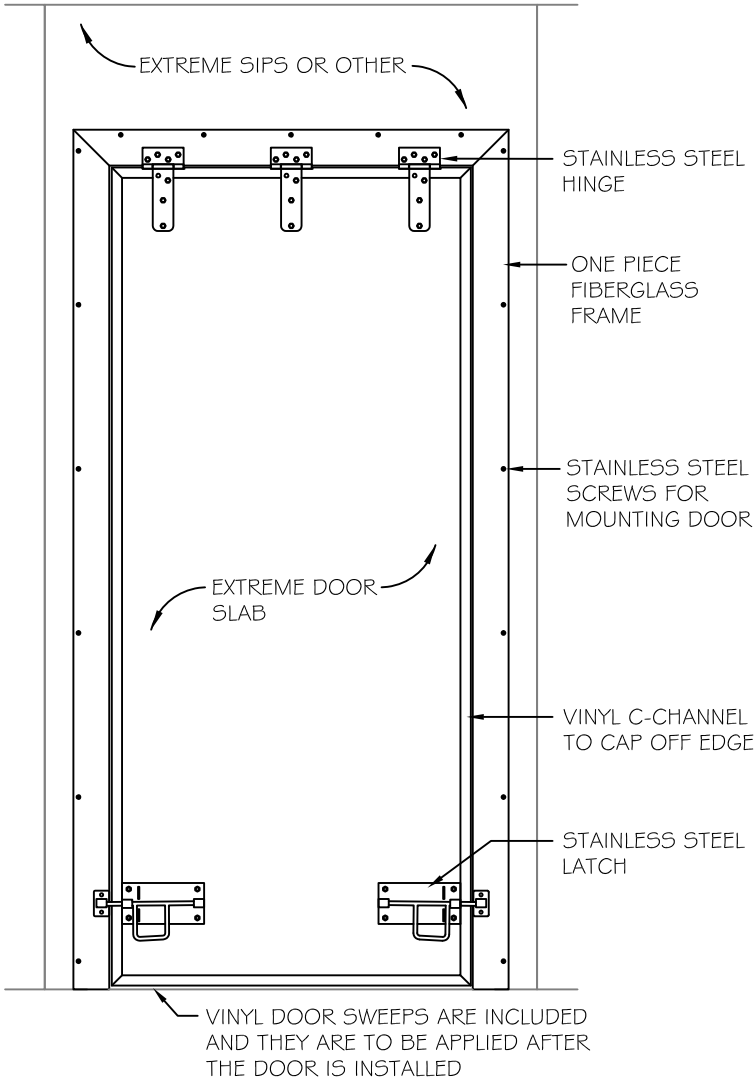


## *EXTREME DOOR TOP HINGED*

### FRONT VIEW



### STANDARD ROUGH OPENINGS FOR EXTREME DOORS

DOOR SIZE	SLAB SIZE	ROUGH OPENING
4'-0"	47" x 79 3/4"	51 3/4" x 82 1/2"
3'-0"	35" x 79 3/4"	39 3/4" x 82 1/2"
2'-8"	31" x 79 3/4"	35 3/4" x 82 1/2"
2'-6"	29" x 79 3/4"	33 3/4" x 82 1/2"
2'-0"	23" x 79 3/4"	27 3/4" x 82 1/2"

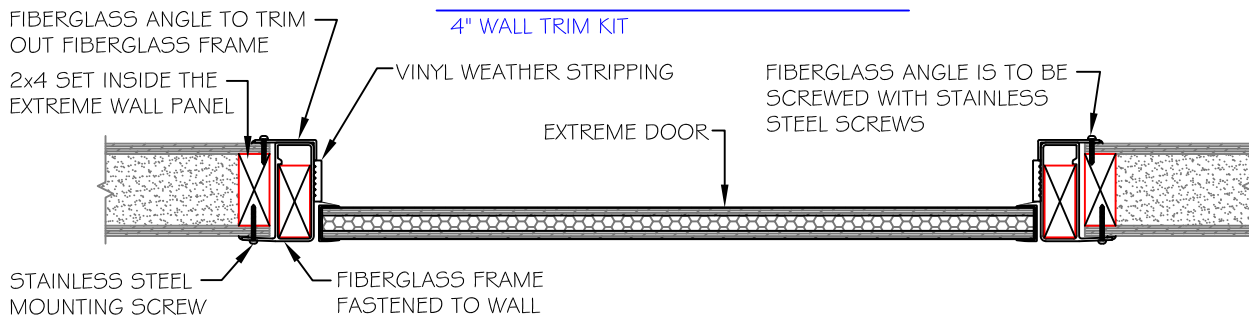
### NOTES:

CUSTOM SIZES CAN BE MADE AT AN ADDITIONAL CHARGE PER DOOR.

FOR WIDTHS OTHER THAN THOSE LISTED, ADD 4 3/4" TO DESIRED SLAB SIZE TO GET THE ROUGH OPENING.

### CROSS SECTION VIEW

#### 4" WALL TRIM KIT

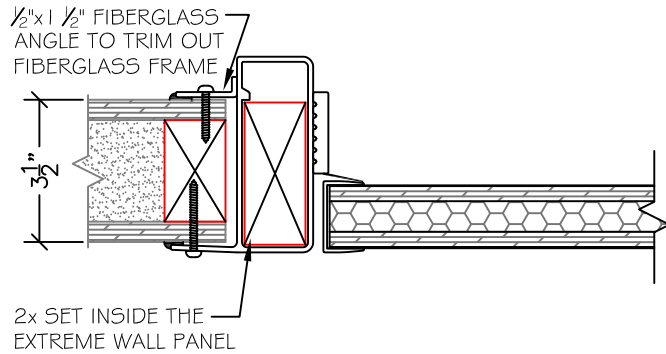


ALL METAL ITEMS USED IN MANUFACTURING DOORS ARE EITHER STAINLESS STEEL OR ALUMINUM FOR EXTREME RESISTENCE TO RUST AND CORROSION FOR YEARS OF LASTING DURABILITY.

## TRIM KIT OPTIONS TOP HINGED

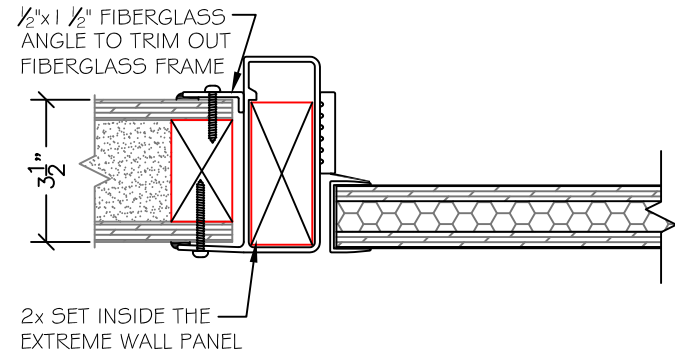
### CROSS SECTION VIEW

TRIM KIT - 3 1/2" WALL (OPTION 1)



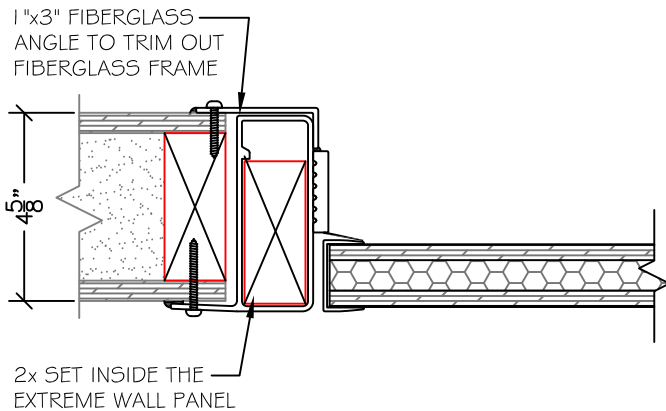
### CROSS SECTION VIEW

TRIM KIT - 3 1/2" WALL (OPTION 2)



### CROSS SECTION VIEW

TRIM KIT - 4" WALL



### CROSS SECTION VIEW

TRIM KIT - 6" WALL

