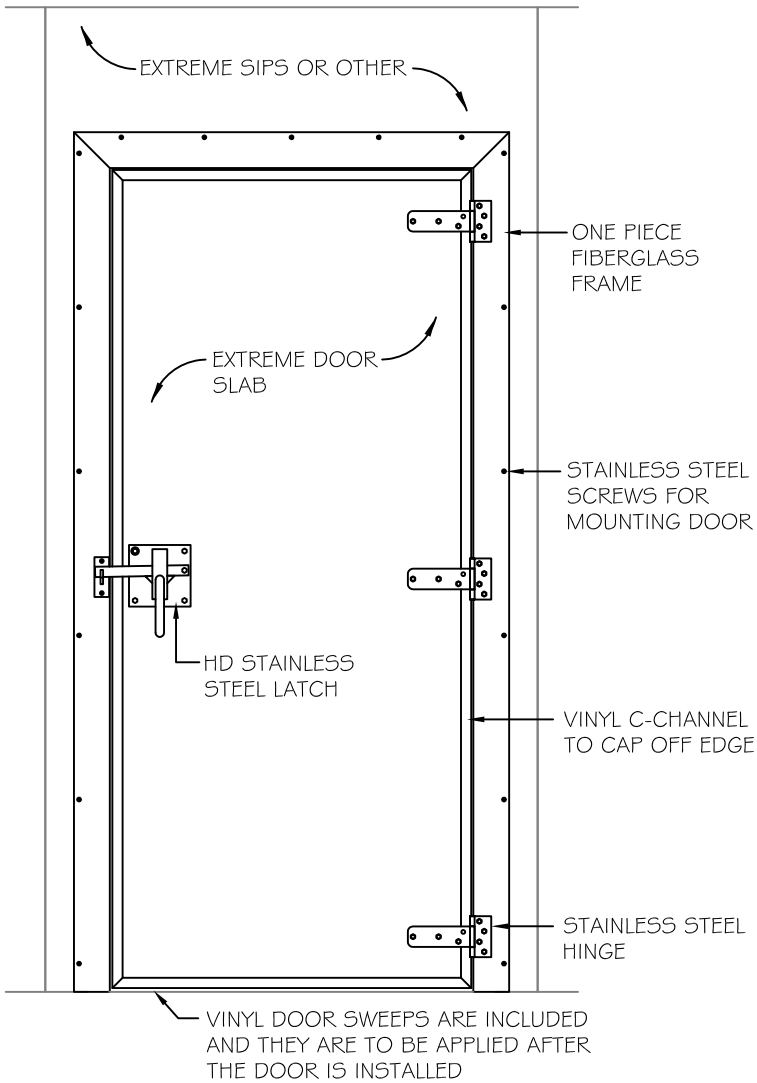


EXTREME DOOR

FRONT VIEW



STANDARD ROUGH OPENINGS FOR EXTREME DOORS

DOOR SIZE	SLAB SIZE	ROUGH OPENING
4'-0"	47" x 79 3/4"	51 3/4" x 82 1/2"
3'-0"	35" x 79 3/4"	39 3/4" x 82 1/2"
2'-8"	31" x 79 3/4"	35 3/4" x 82 1/2"
2'-6"	29" x 79 3/4"	33 3/4" x 82 1/2"
2'-0"	23" x 79 3/4"	27 3/4" x 82 1/2"

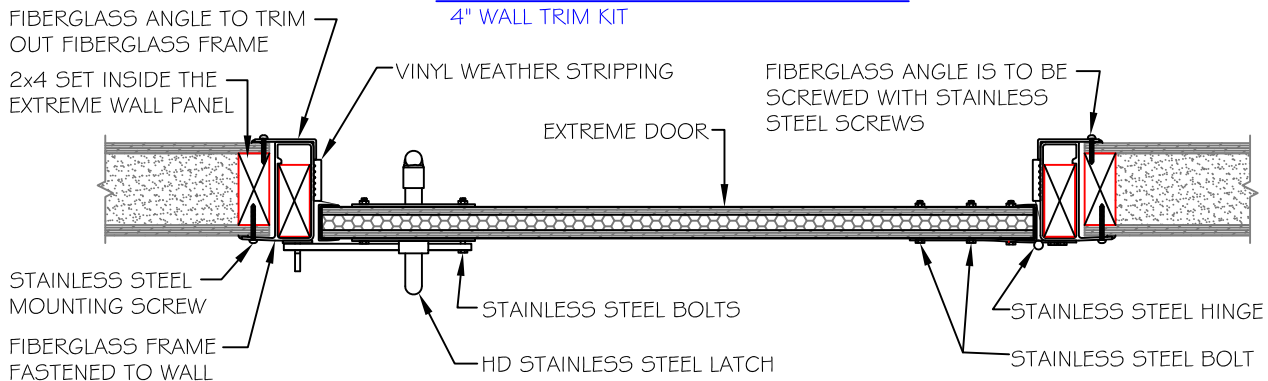
NOTES:

CUSTOM SIZES CAN BE MADE AT AN ADDITIONAL CHARGE PER DOOR.

FOR WIDTHS OTHER THAN THOSE LISTED, ADD 4 3/4" TO DESIRED SLAB SIZE TO GET THE ROUGH OPENING.

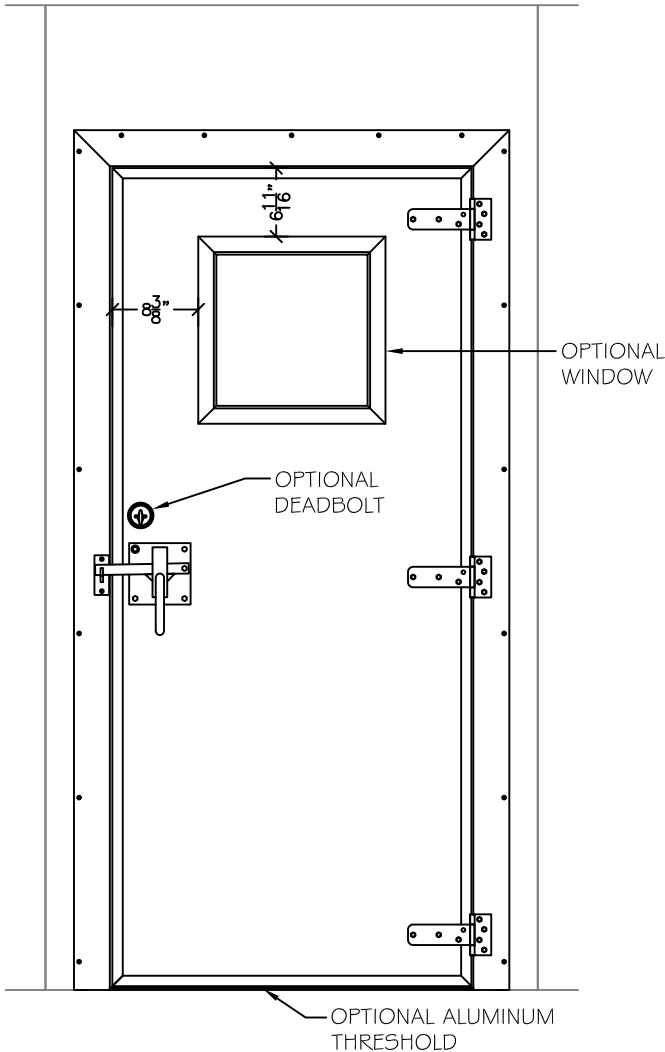
CROSS SECTION VIEW

4" WALL TRIM KIT



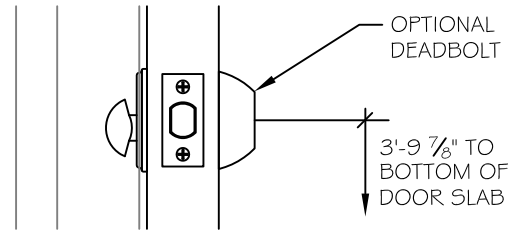
ALL METAL ITEMS USED IN MANUFACTURING DOORS ARE EITHER STAINLESS STEEL OR ALUMINUM FOR EXTREME RESISTANCE TO RUST AND CORROSION FOR YEARS OF LASTING DURABILITY.

DOOR OPTIONS



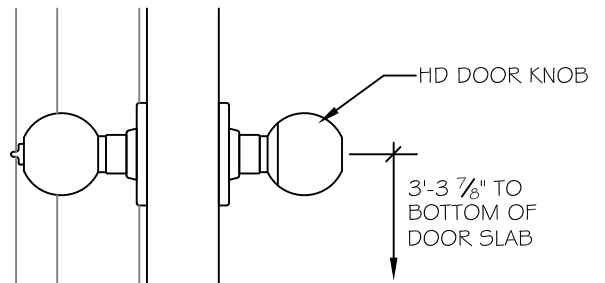
CROSS SECTION VIEW

DEADBOLT



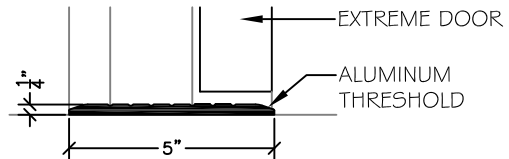
CROSS SECTION VIEW

HD DOOR KNOB



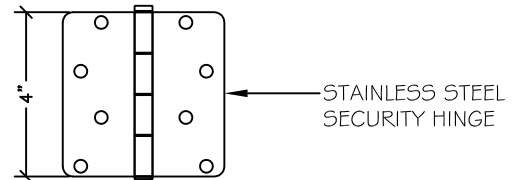
CROSS SECTION VIEW

ALUMINUM THRESHOLD



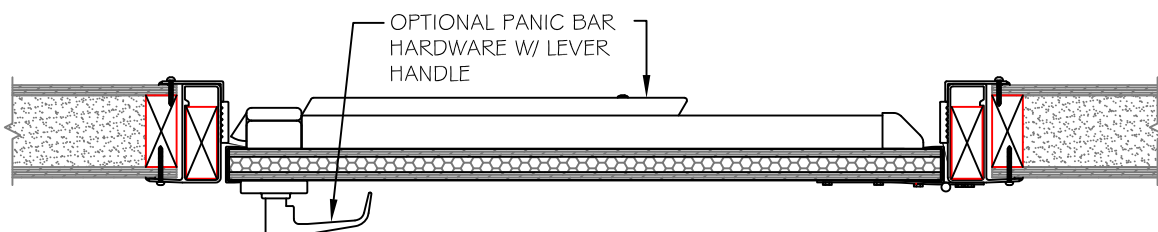
CROSS SECTION VIEW

STAINLESS STEEL SECURITY HINGE



CROSS SECTION VIEW

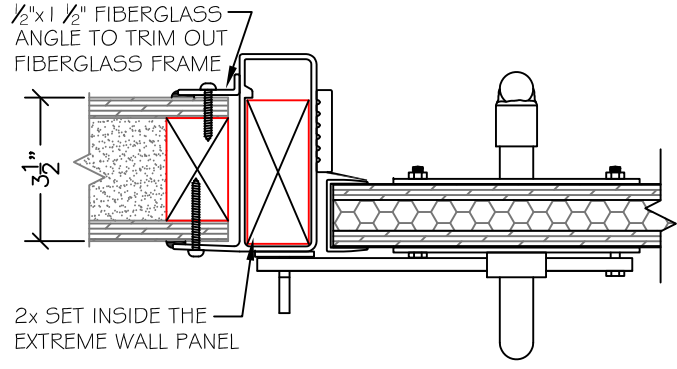
PANIC BAR HARDWARE



TRIM KIT OPTIONS

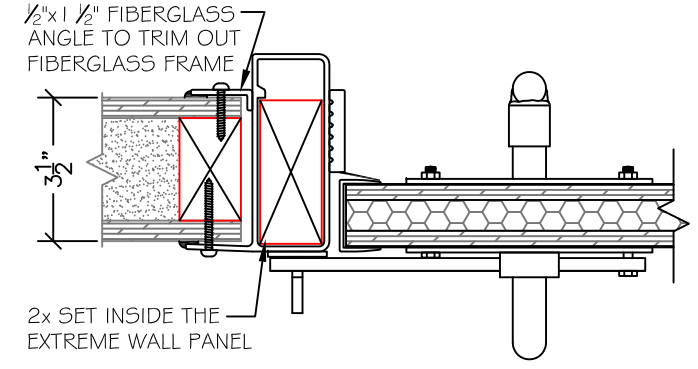
CROSS SECTION VIEW

TRIM KIT - 3 1/2" WALL (OPTION 1)



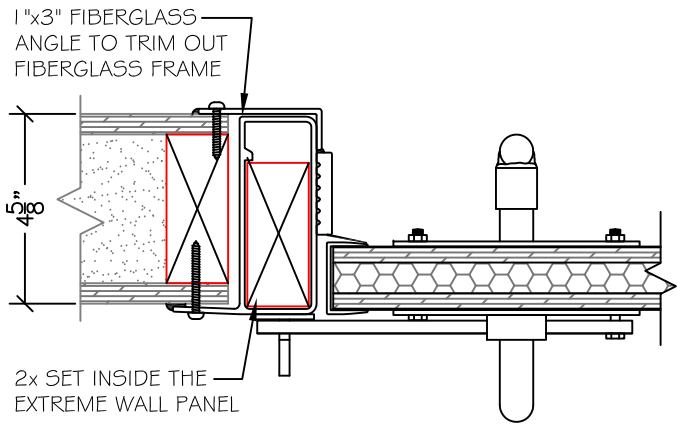
CROSS SECTION VIEW

TRIM KIT - 3 1/2" WALL (OPTION 2)



CROSS SECTION VIEW

TRIM KIT - 4" WALL



CROSS SECTION VIEW

TRIM KIT - 6" WALL

