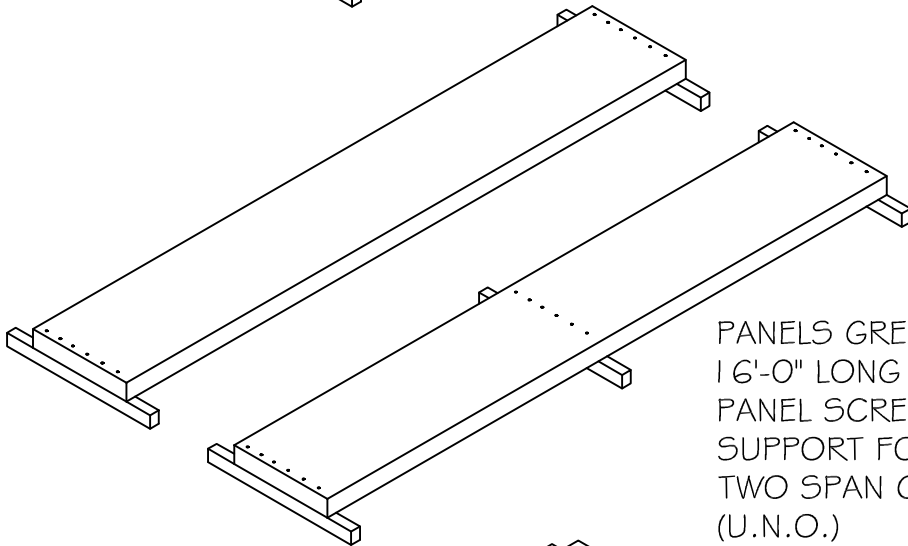
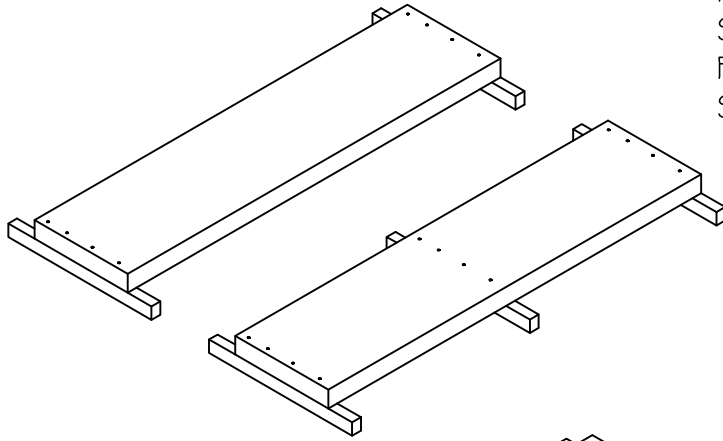
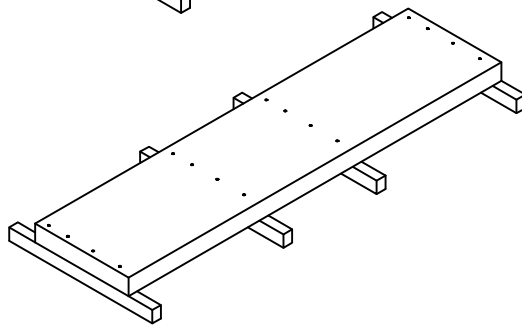


PANELS UP TO 16'-0" LONG  
REQUIRE (4) PANEL  
SCREWS PER SUPPORT  
FOR SINGLE AND TWO  
SPAN CONDITIONS (U.N.O.)



PANELS GREATER THAN  
16'-0" LONG REQUIRE (6)  
PANEL SCREWS PER  
SUPPORT FOR SINGLE AND  
TWO SPAN CONDITIONS  
(U.N.O.)



PANELS ANY LENGTH W/  
MULTIPLE SPAN CONDITIONS  
REQUIRE (4) PANEL SCREWS  
PER SUPPORT (U.N.O.)

NOTE: ILLUSTRATED PANELS ARE  
4'-0" WIDE (FOR 8'-0" WIDE PANELS  
DOUBLE QUANTITIES OF FASTENERS)

SECTION  
NOT TO SCALE

DETAIL TITLE : ROOF / FLOOR FASTENING PATTERNS

DETAIL NO. : EP-426

PAGE NO. : 4 - 26

UPDATED : 2-7-11

**Extreme Panel**

TECHNOLOGIES, INC.

STRUCTURAL INSULATED PANELS