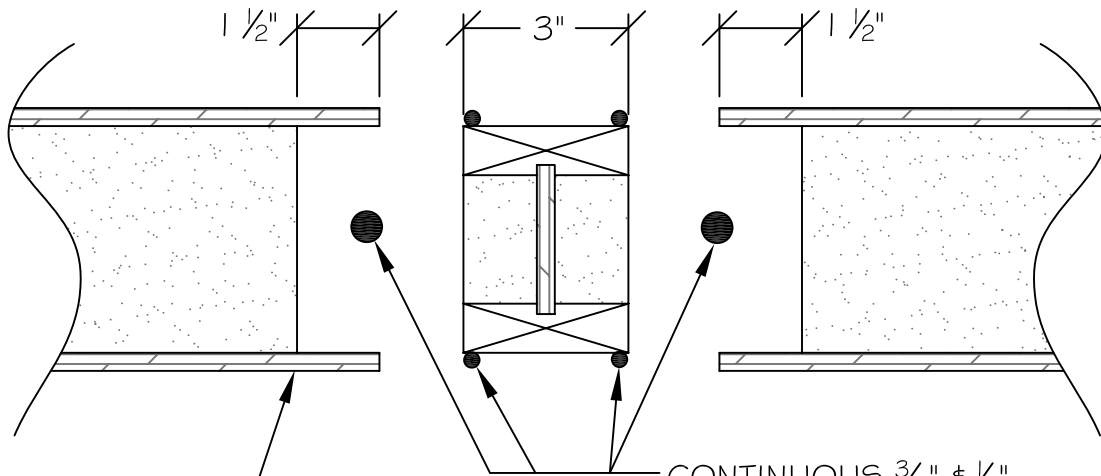


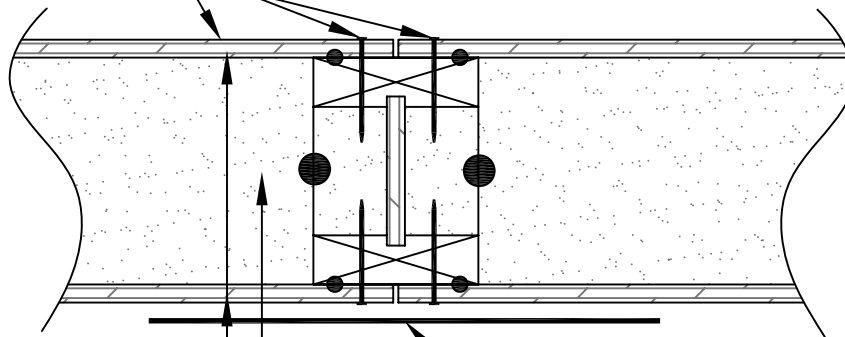
PRE-ASSEMBLED VIEW



CONTINUOUS 3/8" # 1/2"
PREMIER MASTIC
TYPICAL EACH SIDE

EXTREME WALL,
ROOF, OR
FLOOR PANEL

#8x1 1/2" SCREWS @ 8" O.C. OR
8d NAILS @ 6" O.C. BOTH SIDES
TOP & BOTTOM (U.N.O.)



7/16" O.S.B. SKINS ON
BOTH SIDES, TYPICAL

SIP TAPE ON (WINTER)
WARM SIDE OF PANEL

EXPANDED
POLYSTYRENE CORE

ASSEMBLED VIEW

SECTION
NOT TO SCALE

* DETAIL COURTESY OF PREMIER BUILDING SYSTEMS

DETAIL TITLE : I-JOIST SPLINE CONNECTION

DETAIL NO. : EP-104

PAGE NO. : 1 - 4

UPDATED : 2/5/2009

Extreme Panel
Technologies, Inc.
QUALITY EFFICIENT BUILDING SYSTEMS