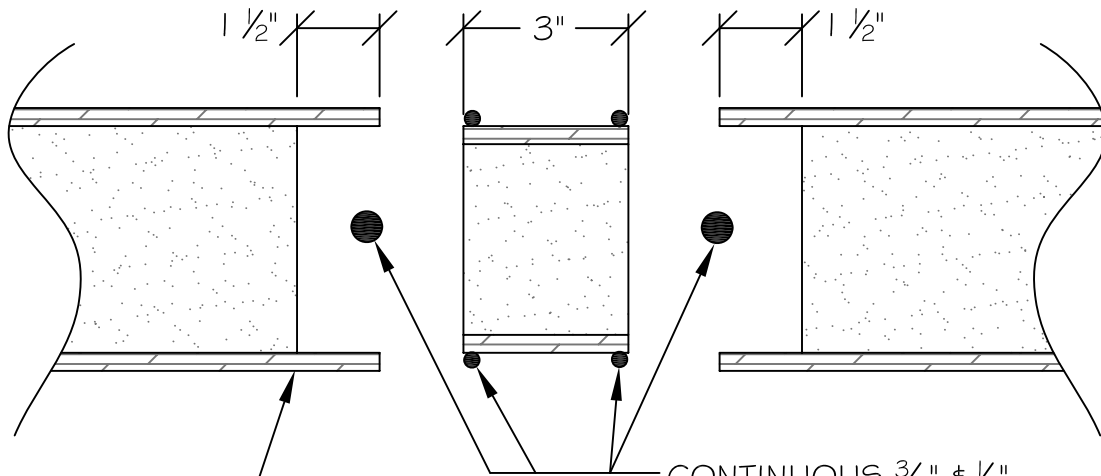


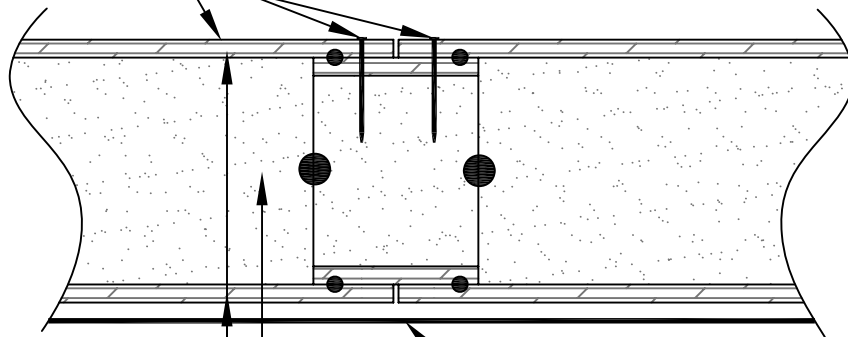
PRE-ASSEMBLED VIEW



CONTINUOUS $\frac{3}{8}$ " $\# \frac{1}{2}$ "
PREMIER MASTIC
TYPICAL EACH SIDE

EXTREME WALL,
ROOF, OR
FLOOR PANEL

#8x1 1/2" SCREWS @ 8" O.C. OR 8d
NAILS @ 6" O.C. TOP SIDE ONLY
(U.N.O.)



$\frac{7}{16}$ " O.S.B. SKINS ON
BOTH SIDES, TYPICAL
EXPANDED
POLYSTYRENE CORE

VAPOR BARRIER ON (WINTER)
WARM SIDE OF PANEL

NOTE: THIS DETAIL USED IN SITUATIONS WHERE THE SPLINE CONNECTION
ON THE WARM SIDE OF THE PANELS IS NOT ACCESSIBLE

ASSEMBLED VIEW

SECTION
NOT TO SCALE

DETAIL TITLE : BLOCK SPLINE (VAPOR BARRIER)

DETAIL NO. : EP-107

PAGE NO. : 1 - 7

UPDATED : 2/5/2009

Extreme Panel
Technologies, Inc.
QUALITY EFFICIENT BUILDING SYSTEMS