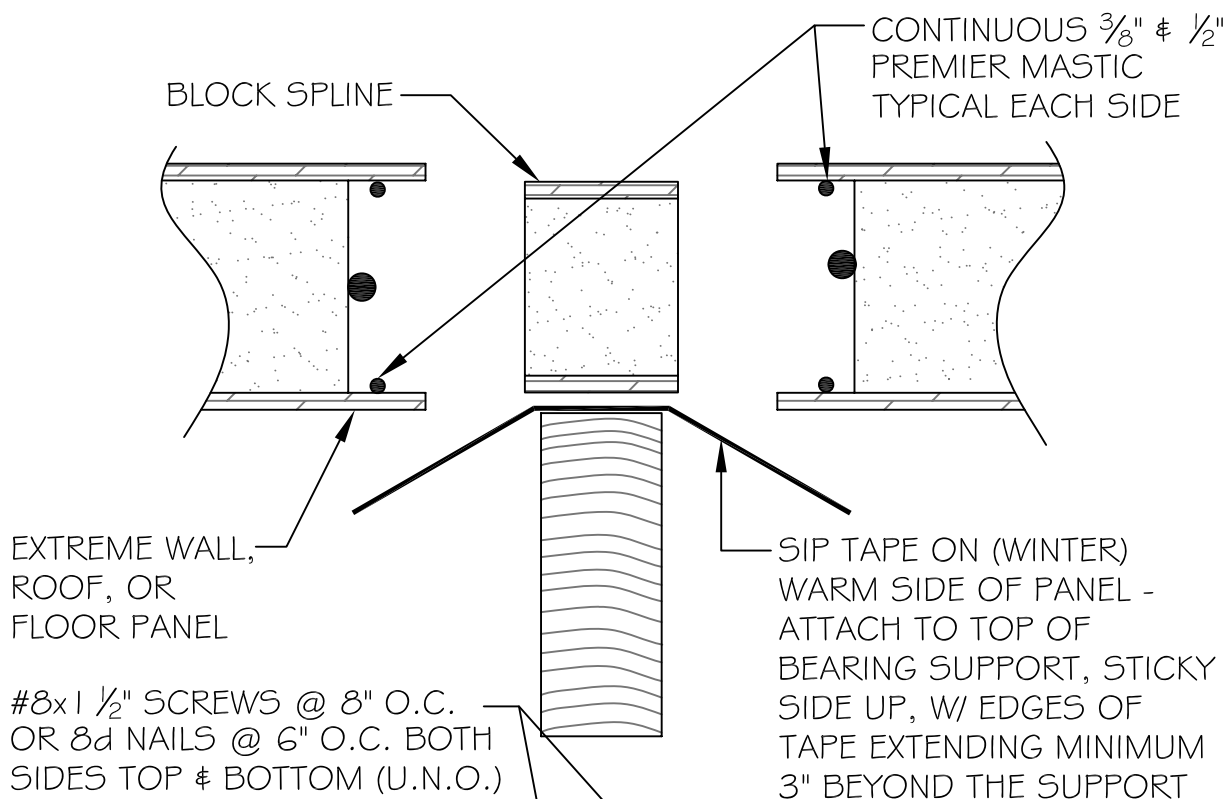


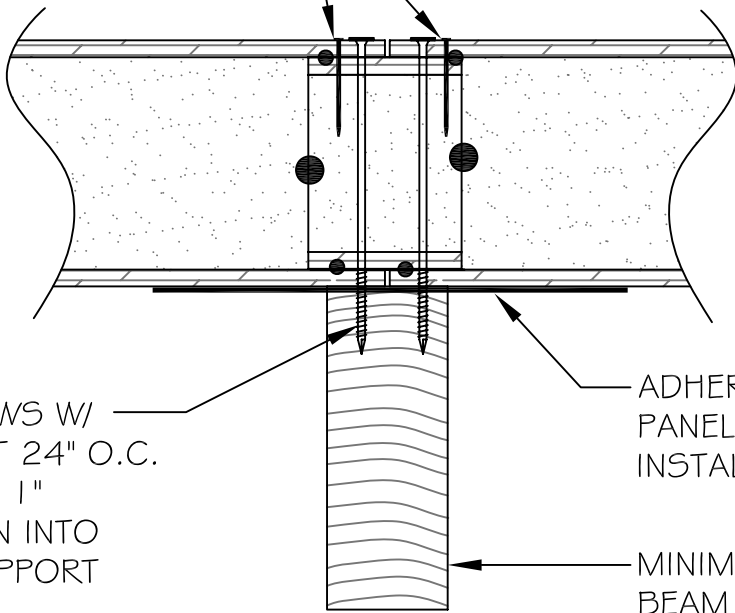
PRE-ASSEMBLED VIEW



EXTREME WALL,  
ROOF, OR  
FLOOR PANEL

#8x1 1/2" SCREWS @ 8" O.C.  
OR 8d NAILS @ 6" O.C. BOTH  
SIDES TOP & BOTTOM (U.N.O.)

SIP TAPE ON (WINTER)  
WARM SIDE OF PANEL -  
ATTACH TO TOP OF  
BEARING SUPPORT, STICKY  
SIDE UP, W/ EDGES OF  
TAPE EXTENDING MINIMUM  
3" BEYOND THE SUPPORT



PANEL SCREWS W/  
WASHERS AT 24" O.C.  
W/ MINIMUM 1"  
PENETRATION INTO  
BEARING SUPPORT

ADHERE SIP TAPE TO  
PANELS AFTER PANEL  
INSTALLATION

MINIMUM 3" WIDE  
BEAM - PANELS  
REQUIRE MINIMUM  
1 1/2" BEARING

ASSEMBLED VIEW

SECTION  
NOT TO SCALE

\* DETAIL COURTESY OF PREMIER BUILDING SYSTEMS

DETAIL TITLE : SPLINE FASTENED AT TOP ONLY

DETAIL NO. : EP-108

PAGE NO. : 1 - 8

UPDATED : 2/5/2009

**Extreme Panel**  
Technologies, Inc.  
QUALITY EFFICIENT BUILDING SYSTEMS