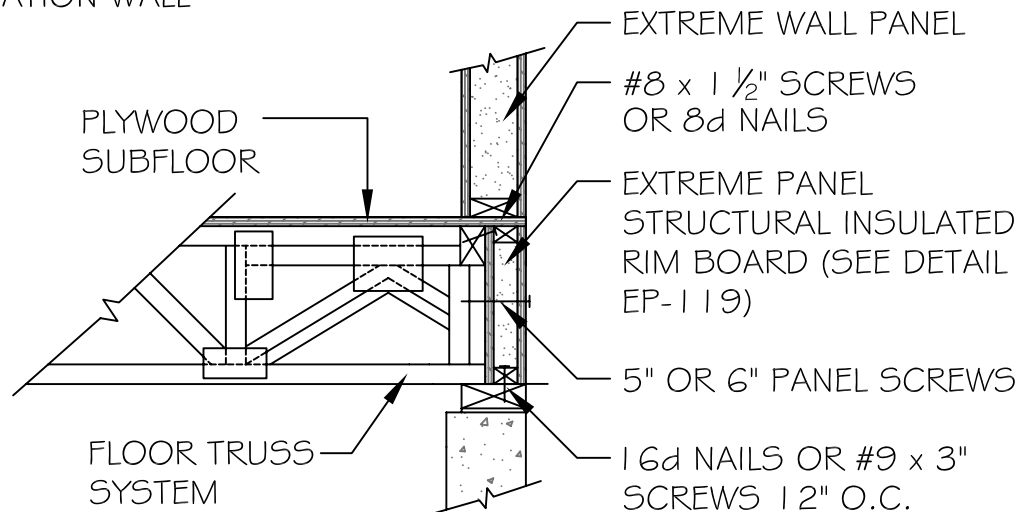
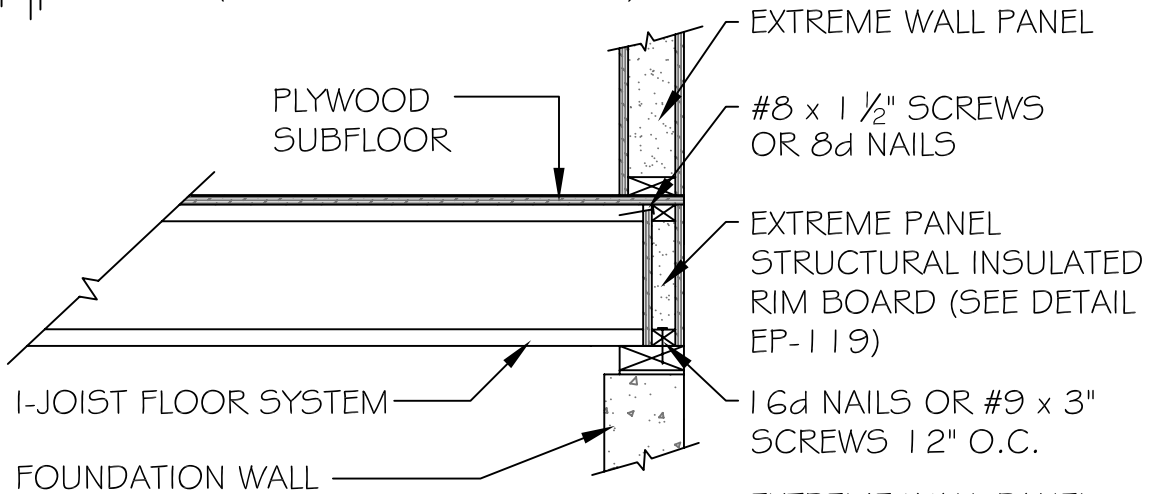
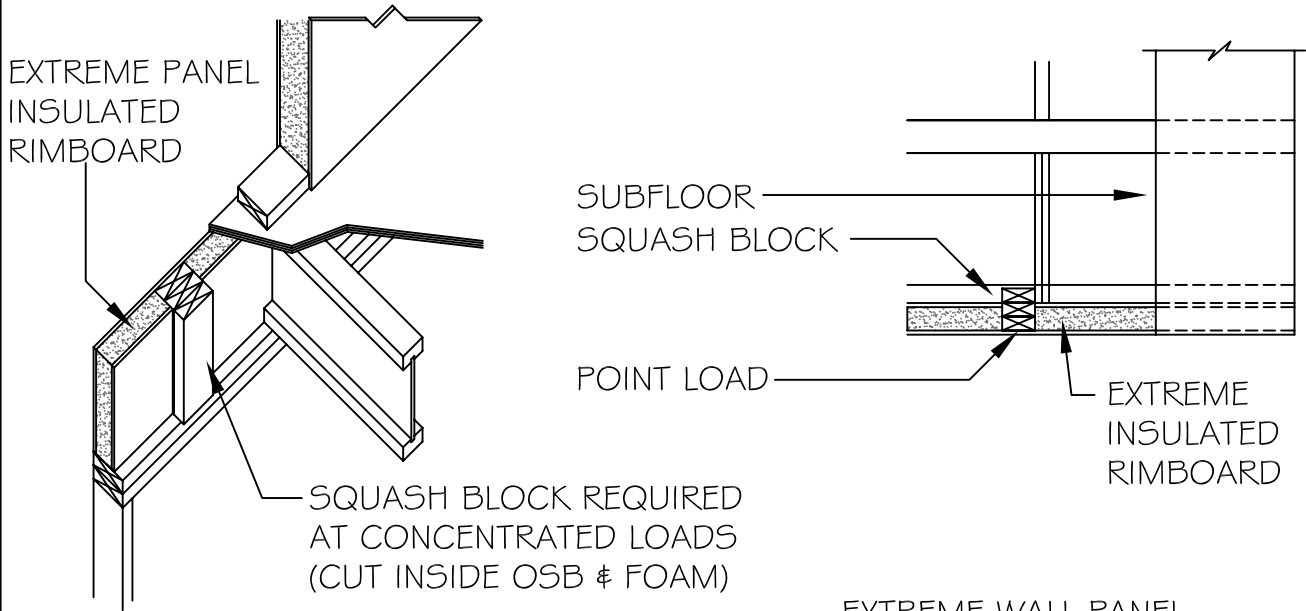


NOTE: STOP RIM BOARD WHERE POINT LOADS GO THROUGH

# TOP VIEW



SECTION  
NOT TO SCALE

DETAIL TITLE : INSULATED RIM BOARD CONNECTION

DETAIL NO. : EP-205

PAGE NO. : 2 - 5

UPDATED : 2/5/2009

**Extreme Panel**  
Technologies, Inc.  
QUALITY EFFICIENT BUILDING SYSTEMS